



Technical specifications and instructions



**60 Frame
Plunger pump**

**Nickel Aluminum
Bronze Model**

6747

Specifications (*)

Model 6747

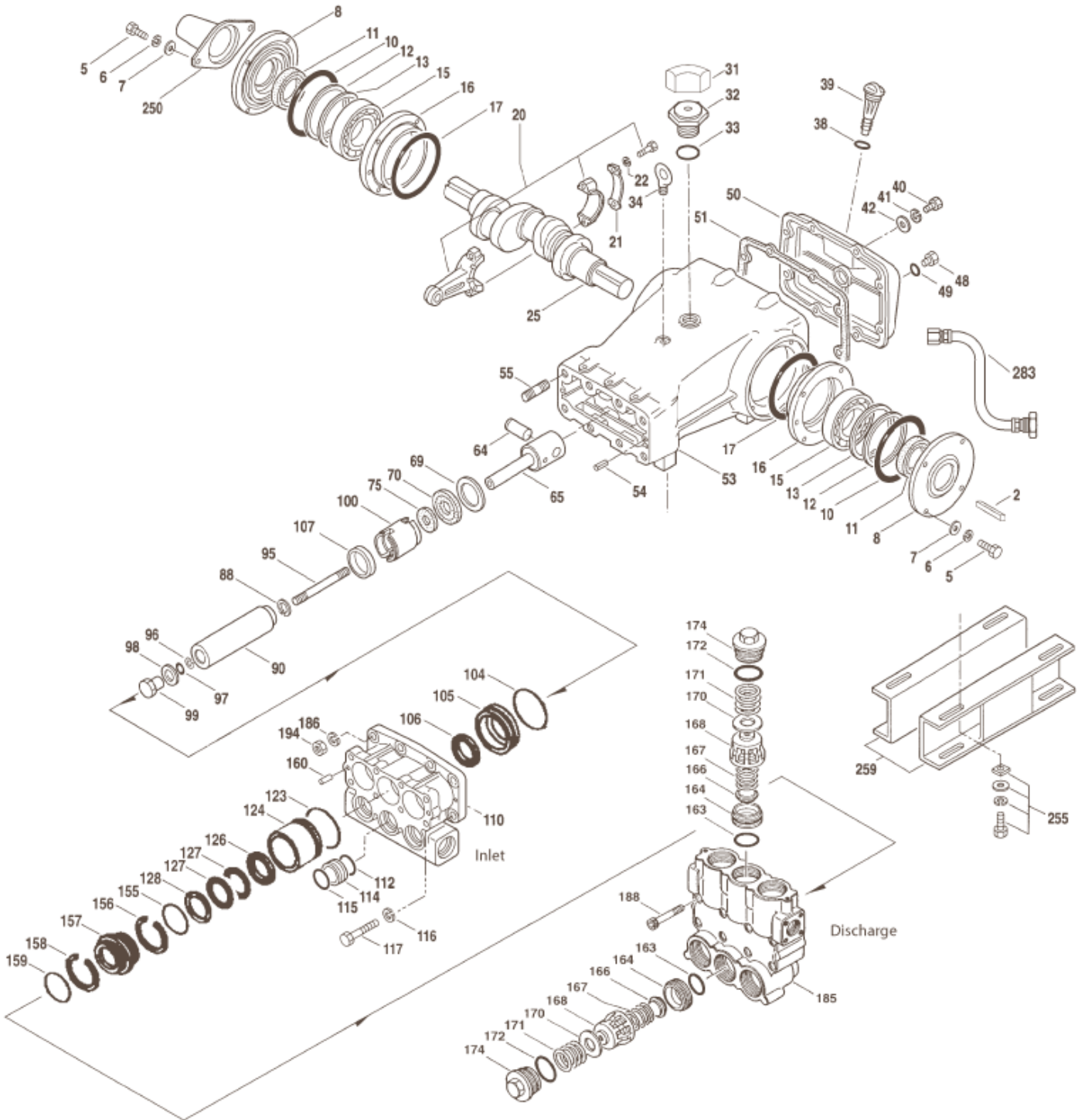
Flow	182 L/min
Pressure range	7 to 140 bar
RPM	615 RPM

Common specifications

Inlet pressure range	Flooded to 3,5 bar
Bore	45 mm
Stroke	65,5 mm
Crankcase capacity	9,46 L
Maximum liquid temperature	60° C
Inlet ports (2)	2" NPTF
Discharge ports (2)	1-1/4" NPTF
Shaft diameter	45 mm
Weight	151,95 kg
Dimensions (6760,6767,6767C)	791 x 619 x 327 mm

(*) Abnormalities permitted only after consultation and written confirmation from Cat Pumps.

Exploded View



Model
Nickel Aluminum Bronze - 6747

June 2010

Parts list

It.	Num. 6747	Mat.	Description	Qt
2	43048	STL	Key (M14x9x90)	1
5	89728	S	Screw, HH (M10x40)	8
6	15847	S	Lockwasher (M10)	8
7	19934	S	Washer, flat (M10)	8
8	29443	AL	Cover, bearing, outer	2
10	29444	NBR	O-ring, bearing case – 70D	2
11	11443	NBR	Seal, oil, crankshaft – 70D	2
12	43642	STZP R	Washer, shim (M120 x 0.3), bearing, inner	0-2
13	126595	STZP R	Washer, shim (M120 x 0.5), bearing, inner	0-2
15	29441	STL	Bearing, roller	2
16	29442	STL	Cover, bearing, inner	2
17	29444	NBR	O-ring, bearing case – 70D	2
20	126612	BBHS	Rod, connecting (incl.21,22)	3
21	126560	STCP R	Washer, locking	3
22	126593	STCP R	Washer, shim (M10.5 x 1.5)	6
25	29440	FCM	Crankshaft, dual end	1
31	828710	-	Protector, oil cap	1
32	43211	ABS	Cap, oil filler	1
33	14177	NBR	O-ring, oil filler cap – 70D	1
34	126743	STCP R	Bolt, eye (M12x1.75) (for lifting pump only) {1/00}	1
38	103686	RBR	Gasket, flat	1
39	27769	ABS	Stick, dip	1
40	89627	S	Screw, HH (M10x30)	8
41	15847	S	Lockwasher (M10)	8
42	19934	S	Washer, flat (M10)	8
48	25625	STCP	Plug, drain (1/4" x 19 BSP)	1
49	23170	NBR	O-ring, drain plug – 70D	1
50	29438	AL	Cover, rear	1
51	129386	NBR	O-ring, rear cover	1
53	45303	AL	Crankcase (incl. 34,54)	1
54	43282	S	Pin, guide	2
55	89615	S	Stud (M16x70)	2
64	29481	CM	Pin, crosshead	3
65	45384	SSZZ	Rod, plunger	3
69	126588	STCP R	Washer, oil seal	3
70	29454	NBR	Seal, oil – 80D	3
75	44752	NBR	Slinger, barrier	3
88	45677	SS	Washer, keyhole (M14)	3
90	45672	CC	Plunger (M45x185)	3
95	44748	SS	Stud, plunger retainer (M14x147)	3
96	20214	PTFE	Back-up-ring, plunger retainer	3
97	17616	NBR	O-ring, plunger retainer – 80D	3
	11686	FPM	O-ring, plunger retainer – 80D	3
	# 703369	EPDM	O-ring, plunger retainer – 70D	3
98	44751	SS	Gasket, plunger retainer	3
99	44750	SS	Retainer, plunger (M14)	3
100	702014	PVDF	Retainer, seal	3
104	18178	NBR	O-ring, inlet adapter – 80D	3
	13338	FPM	O-ring, inlet adapter – 70D	3
	# 701657	EPDM	O-ring, inlet adapter – 70D	3
105	701355	SS	Adapter, LPS	3
106	106147	NBR	Seal, LPS w/SS-spg	3
	701752	SFTA*	Seal, LPS w/SS-spg	3
107	701580	D	Spacer, LPS	3
110	44754	NAB	Manifold, inlet	1
112	18175	NBR	O-ring, spacer, inner – 80D	3
	13266	FPM	O-ring, spacer, inner – 70D	3
	# 702442	EPDM	O-ring, spacer, inner – 75D	3
114	44767	SS	Spacer, inlet manifold	3
115	18175	NBR	O-ring, spacer, outer – 80D	3
	13266	FPM	O-ring, spacer, outer – 70D	3

	702442	EPDM	O-ring, spacer, outer – 75D	3
116	19086	S	Lockwasher (M16)	4
117	89729	S	Screw, HH (M16x55)	4
123	18178	NBR	O-ring, cylinder V/P – 80D	3
	13338	FPM	O-ring, cylinder V/P – 70D	3
	# 701657	EPDM	O-ring, cylinder V/P – 70D	3
124	701357	SS	Cylinder, V/P	3
126	701358	SS	Adapter, female	3
127	104450	STG*	V-packing	6
128	701359	SS	Adapter, male	3
155	701978	NBR	O-ring, spacer	3
	701360	FPM	O-ring, spacer	3
	# 702045	EPDM	O-ring, spacer	3
156	701361	PTFE	Back-up-ring, spacer inner	3
157	701362	SS	Spacer, V-packing w/coil springs	3
158	701363	PTFE	Back-up ring, spacer outer	3
159	18178	NBR	O-ring, spacer – 80D	3
	13338	FPM	O-ring, spacer – 70D	3
	# 701657	EPDM	O-ring, spacer – 70D	3
160	44756	S	Pin, guide	2
163	18176	NBR	O-ring, seat – 80D	6
	13278	FPM	O-ring, seat	6
	# 702445	EPDM	O-ring, seat – 70D	6
164	44772	SS	Seat	6
166	44774	SS	Valve	6
167	44773	SS	Spring	6
168	44775	PVDF	Retainer, spring	6
170	44776	SS	Washer, retainer	6
171	44780	SS	Spring, coil, valve plug	6
172	18177	NBR	O-ring, valve plug – 80D	6
	13279	FPM	O-ring, valve plug – 70D	6
	# 701988	EPDM	O-ring, valve plug	6
174	44778	NAB	Plug, valve {3/00}	6
185	44769	NAB	Manifold, discharge {3/00}	1
186	19086	S	Lockwasher (M16)	2
188	89694	S	Screw, HSH (M16x110)	8
194	81291	S	Nut, hex (M16)	2
250	29445	AL	Protector, shaft	1
255	33243	STZP	Kit, mount (included w/pump)	1
259	29477	STZP	Rail (included w/pump)	2
275	990014	STL	Hub 45mm (M14x9 keyway)(see TB 003)	1
283	34314	-	Kit, oil drain (3/8"x48")	1
290	6124		Gasket, liquid	1
299	702348	NAB	Head, complete	1
300	702349	NBR*	Kit, seal (incl. 97,104,106,112,115,123,127,155,156,158,159)	1
	702350	FPM*	Kit, seal (incl. 97,104,106,112,115,123,127,155,156,158,159)	1
	# 703545	EPDM*	Kit, seal (incl. 97,104,106,112,115,123,127,155,156,158,159)	1
310	34092	NBR	Kit, valve (incl. 163,164,166,167,168,170,172)	2
	31273	FPM	Kit, valve (incl. 163,164,166,167,168,170,172)	2
	76092	EPDM	Kit, valve (incl. 163,164,166,167,168,170,172)	2
-	819010	F	Assy, crankcase, cast iron conversion	1
-	88902	STZP	Stud (M16x277) (removing DM, IM)	2
390	717500	SS	C.A.T. (inlet pressure stabilizer for R.O. & inlet applications)	1
391	717508	SS	Adapters (2 per CAT)	2
392	701833	SS	Elbow assy used with adapter assembly 717508	1

Italics are optional items. # Silicone oil/grease required. R Components comply with RoHS directive. { } Date of latest production change. * Review material codes for individual items. **C.A.T. highly recommended for pressurized inlet, reverse osmosis and industrial applications.**
See 'Tech Bulletins' 003, 024, 036, 043, 052, 053, 054, 064, 074, 077, 082, 083 and 084 for additional information.

Material codes: (not part or part number)

ABS	ABS plastic	NAB	Nickel aluminum bronze	SSL	316 SS / low carbon
AL	Aluminum	NBR	Medium nitrile (Buna-N)	SSZZ	316 SS / zamak
BBHS	Brass / high strength	PTFE	Pure polytetrafluoroethylene	STCP	Steel / chrome plated
CC	Ceramic	PVDF	Polyvinylidene fluoride	STG	Special blend PTFE white
CM	Chrome-moly	RBR	Rubber	STL	Steel
D	Acetal	S	304 SS	STZP	Steel / zinc plated
FCM	Forged chrome-moly	SFTA	Special blend PTFE tan		
FPM	Fluorocarbon	SS	316 SS		

June 2010

