



Technical specifications and instructions



35 Frame Plunger pump

Model 3550

Specifications (*)

Model 3550

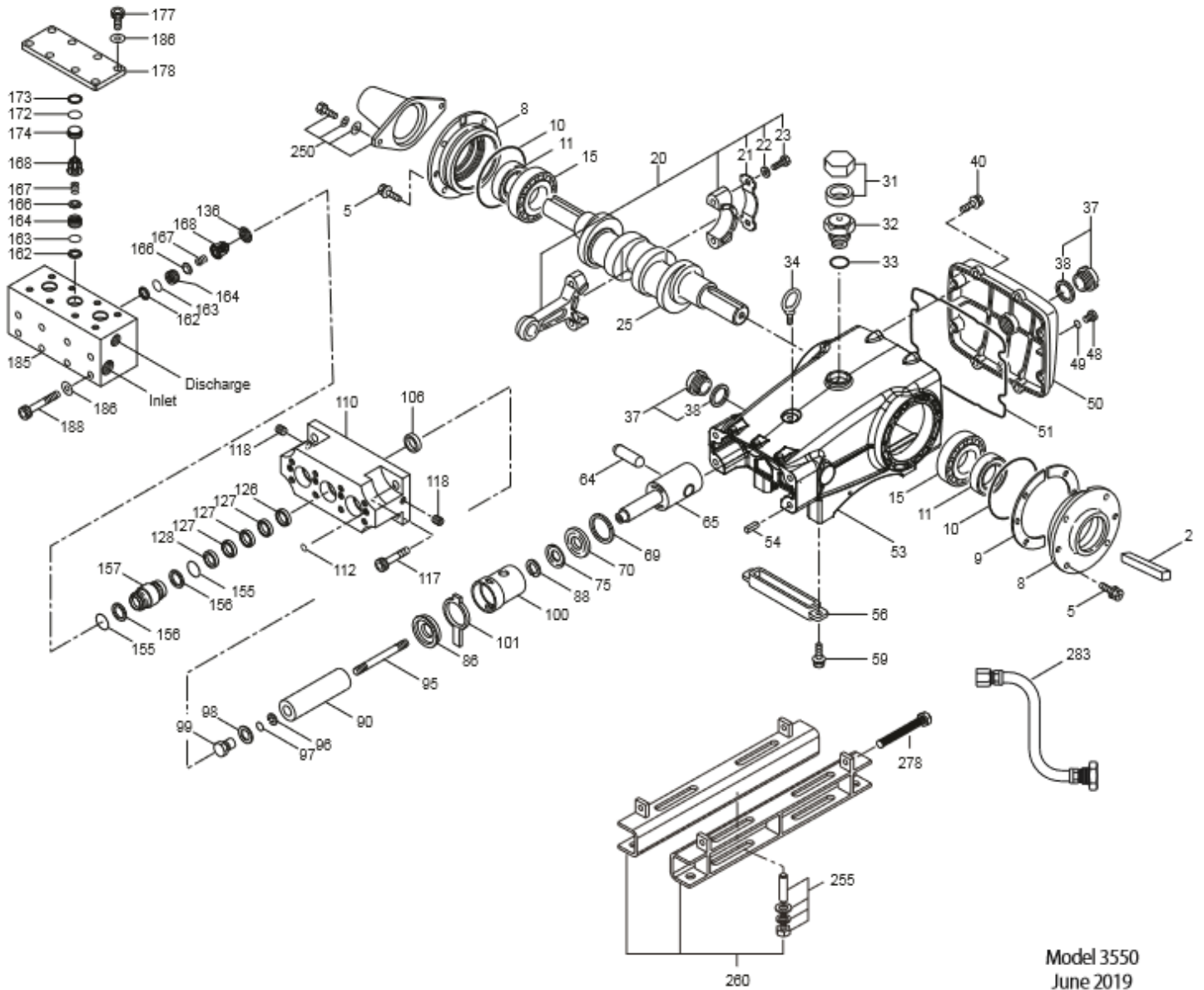
Flow	38 L/min
Pressure range	7 to 405 bar
RPM	940 RPM
Bore	20 mm

Common specifications

Stroke	48 mm
Inlet pressure range	Flooded to 4,8 bar
Crankcase capacity	4 L
Maximum liquid temperature	60° C
Inlet ports (2)	3/4" NPTF
Discharge ports (2)	1/2" NPTF
Shaft diameter	35 mm
Weight	56,4 kg
Dimensions	614 x 460 x 248 mm

(*) Abnormalities permitted only after consultation and written confirmation from Cat Pumps.

Exploded View



Parts list

Item	Num. 3550	Mat.	Description	Qty
2	34021	STL	Key (M10x8x70)	1
5	96049	S	Screw, HHC sems (M10x25) (see TB 125) {6/18}	8
8	134604	ALE	Cover, bearing (see TB 118,125) {6/18}	2
9	815279	FBR	Shim, split, 2-pc (see TB 118,125) {6/18}	2
10	12398	NBR	O-ring, bearing cover – 70D	2
11	13296	NBR	Seal, oil, crankshaft	2
15	29326	STL	Bearing, roller	2
20	121467	TNM	Rod, Connecting assy (incl. 21,22,23)	3
21	126749	STCP R	Washer, locking (M10)	3
22	126593	STCP R	Washer, flat (M10)	6
23	122045	STZP	Screw, HH (M10x55)	6
25	29325	FCM	Crankshaft, dual end (M48)	1
31	828710	PE	Protector, oil cap w/foam gasket	1
32	43211	ABS	Cap, oil filler	1
33	14177	NBR	O-ring, oil filler cap – 70D	1
34	126743	STCP R	Bolt, eye (M12x1,75) (for lifting pump only)	1
37	92241	-	Gauge, oil, bubble w/gasket	2
38	44428	NBR	Gasket, flat oil gauge – 80D	2
40	125753	S	Screw, HHC, sems (M8x25)	8
48	25625	STCP	Plug, drain (1/4" x 19 BSP)	1
49	23170	NBR	O-ring, drain plug – 70D	1
50	45936	ALE	Cover, crankcase (see TB 118)	1
51	16612	NBR	O-ring, crankcase – 70D	1
53	134786	ALE	Crankcase assy (incl. 34,54) (see TB 118,125) {6/18}	1
54	27488	S	Pin, guide	2
56	27790	POP	Pan, oil	1
59	92538	S	Screw, HHC sems (M6x16)	2
64	43864	CM	Pin, crosshead	3
65	49076	SSHB	Rod, plunger	3
69	126587	STCP R	Washer, oil seal	3
70	100488	NBR	Seal, oil, crankcase	3
75	110669	S	Slinger, barrier	3
86	132952	D	Adapter	3
88	110670	S	Washer, keyhole (M16)	3
90	132953	CC	Plunger (M20x110)	3
95	126549	STCP R	Stud, plunger retainer (M7x103)	3
96	132954	PTFB	Back-up-ring, plunger retainer	3
97	14190	NBR	O-ring, plunger retainer – 70D	3
98	44069	SS	Gasket, retainer	3
99	44068	SS	Retainer, plunger (M7)	3
100	44119	PPG	Retainer, seal (see TB 105)	3
101	44095	-	Wick, long tab	3
106	43513	NBR	Seal, LPS w/SS-Spg	3
110	132956	BBCP	Manifold, seal	1
112	11373	NBR	O-ring, inlet manifold – 70D	4
117	44585	S	Screw, HSH (M14x40)	4
118	48702	S	Plug (1/4" NPTM)	2
126	132958	PTFB	Adapter, female	3
127	43516	SNG	V-packing	9
128	43517	BB	Adapter, male	3
136	132964	BB	Retainer, valve assy	3
155	14200	NBR	O-ring, valve spacer – 70D	6
156	132960	PTFE	Back-up-ring, spacer V-packing	6

157	132959	BB	Spacer, valve	3
162	48510	PTFE	Back-up-ring, valve seat	6
163	11338	NBR	O-ring, valve seat – 70D	6
164	132965	S	Seat, valve	6
166	48793	SS	Valve	6
167	43751	S	Spring	6
168	44564	PVDF	Retainer, spring	6
172	14179	NBR	O-ring, valve plug – 70D	3
173	49850	PTFB	Back-up-ring, valve plug	3
174	132966	BB	Plug, valve	3
177	89921	S	Screw, HSH (M12x30)	8
178	132967	BB	Cover, valve	1
185	132962	BBCP	Manifold, inlet/discharge, block-style	1
186	19935	SCP	Washer (M12)	16
188	128035	S	Screw, HSH (M12x110)	8
250	855042	NY	Protector, shaft, w/2 screws, lockwashers & washers (incl.w/pump) (see TB 125)	1
255	34018	<i>STZP R</i>	<i>Kit, direct mount</i>	1
260	92674	<i>STZP R</i>	<i>Mounting, box assy (incl. 34018)</i>	1
278	80540	<i>ZP</i>	<i>Screw, HH (M12x100)(rail adjusting screw)</i>	2
279	30278	<i>STZP</i>	<i>Oiler</i>	3
283	34334	-	<i>Kit, oil drain (3/8" x 24") (see individual date sheet)</i>	1
299	818608	<i>BBCP</i>	<i>Head, complete</i>	1
300	76982	<i>NBR</i>	<i>Kit, seal (incl. 97,106,112,126,127,155,156)</i>	1
310	77033	<i>NBR</i>	<i>Kit, valve (incl. 162,163,164,166,167,168,172,173)</i>	2

Italics are optional items. R Components comply with RoHS directive. { } Date of latest production change.
View 'Tech Bulletins' 024, 035, 036, 043, 074, 083, 105, 118 and 125 for additional information.

Material codes: (not part or part number)

ABS	ABS plastic	NBRS	Buna, silicone free	SNG	Special blend Buna
ALE	Aluminum Epoxy	NY	Nylon	SS	316SS
BB	Brass	PE	Polyethylene	SSHB	316 SS / high strength
BBCP	Brass / chrome plated	POP	Polypropylene	STCP	Steel / chrome plated
CC	Ceramic	PPG	Glas filled polypropylene	STL	Steel
CM	Chrome-moly	PTFE	Pure polytetrafluoroethylene	STZP	Steel / zinc plated
D	Acetal	PTFB	Polytetrafluoroethylene w/60% bronze	TNM	Special high strength
FBR	Fiber	PVDF	Polyvinylidene fluoride	ZP	Zinc plated
FCM	Forged chrome-moly	S	304SS		
NBR	Medium nitrile (Buna-N)	SCP	304SS/chrome-plated		