



Technical specifications and instructions

3CP Plunger pump

Model stainless steel

3CP1211CS

Model SS with gearbox

3CP1211G

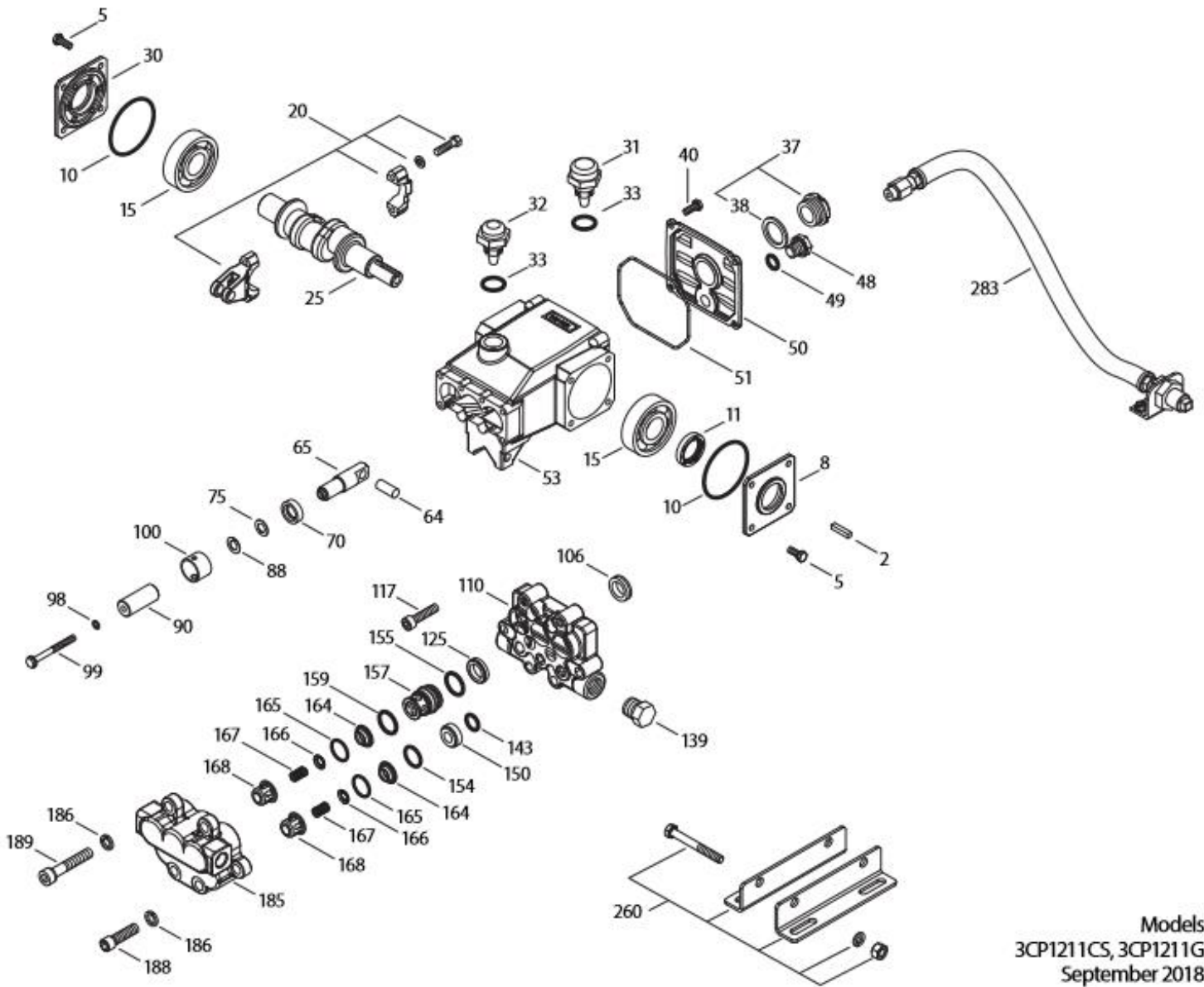


Specifications (*)

	Model 3CP1211CS	Model 3CP1211G
Flow	15,7 l/min	14,4 l/min
Pressure range	6,9 to 120 bar	6,9 to 103 bar
Pump RPM	1450 RPM	1330 RPM
Engine RPM		3400 RPM
Stroke	15 mm	15 mm
 <u>Common specifications</u>		
Inlet pressure range		Flooded to 4.8 bar
Bore		18 mm
Crankcase capacity		0,35 L
Maximum liquid temperature		71° C
Inlet ports (2)		1/2" NPTF
Discharge ports (2)		3/8" NPTF
Shaft diameter		16,5 mm
Weight		6,7 kg
Dimensions		246 x 170 x 136 mm

(*) Abnormalities permitted only after consultation and written confirmation from Cat Pumps.

Exploded View



Models
3CP1211CS, 3CP1211G
September 2018

Parts list

Item	Num.	Mat.	Description	Qty
	3CP1211CS			
	3CP1211G			
2	30047	STL	Key (M5x5x24)	1
5	92538	S	Screw, HHC sems (M6x16)	8
8	46901	AL	Cover, bearing	1
10	14028	NBR	O-ring, cover, bearing – 70D	2
11	43222	NBR	Seal, oil, crankshaft	1
15	14480	STL	Bearing, ball	2
20	48730	TNM	Rod assembly, connecting	3
25	48805	FCM	Crankshaft	1
30	48259	AL	Cover, bearing blind	1
31	127409	-	Cap, vented w/O-ring (rain cap)	1
32	46798	RTP	Cap, oil filler	1
33	14179	NBR	O-ring, oil filler cap – 70D	1
37	92241	-	Gauge, oil, bubble w/gasket – 80D	1
38	44428	NBR	Gasket, flat, oil gauge – 80D	1
40	92538	S	Screw, HHC sems (M6x16)	4
48	25625	STCP	Plug, drain (1/4" x 19 BSP)	1
49	23170	NBR	O-ring, drain plug – 70D	1
50	46939	AL	Cover, rear	1
51	14041	NBR	O-ring, rear cover – 70D	1
53	48644	AL	Crankcase	1
64	46615	CM	Pin, crosshead	3
65	48807	BBNP	Rod, plunger	3
70	46839	NBR	Seal, oil, crankcase	3
75	48809	S	Slinger, barrier, flat	3
88	45697	S	Washer, keyhole (M18x10)	3
90	46976	CC	Plunger (M18x43)	3
97	76729	SS	Washer, flat (not shown, use with 76730)	3
98	46730	NBR	Washer, seal – 90D	3
	48394	FPM	Washer, seal – 90D	3
	# 48432	EPDM	Washer, seal	3
	76730	PTFE	Ring, sealing	3
99	+48201	SS	Retainer, plunger	3
100	46541	PVDF	Retainer, seal	3
106	44053	NBR	Seal, LPS w/SS-Spg	3
	44926	FPM	Seal, LPS w/SS-Spg	3
	76243	ST2	Seal, LPS w/S-spg	3
	# 46651	EPDM	Seal, LPS w/SS-Spg	3
110	48556	SS	Manifold, inlet	1
117	119034	S	Screw, HSH (M8x35)	4
125	44652	SNG	Seal, HPS w/SS	3
	44925	FPM	Seal, HPS w/SS	3
	46652	HT	Seal, HPS w/SS, 2-pc w/ S-Support	3
	76052	ST4	Seal, HPS w/S	3
139	45156	SS	Plug, inlet (1/2"-14 NPTM)	1
143	17547	NBR	O-ring, adapter, valve, rear – 85D	3
	11685	FPM	O-ring, adapter, valve, rear – 85D	3
	# 46648	EPDM	O-ring, adapter, valve, rear – 70D	3
	703308	IPFE	O-ring, adapter, valve, rear – 85D	3
150	44060	SS	Adapter, inlet valve	3
154	43893	NBR	O-ring, adapter, valve, front – 80D	3
	44927	FPM	O-ring, adapter, valve, front	3
	# 46649	EPDM	O-ring, adapter, valve, front – 80D	3

	703307	IPFE	O-ring, adapter, valve, front – 80D	3
155	26089	NBR	O-ring, adapter, valve, rear – 80D	3
	11377	FPM	O-ring, adapter, valve, rear – 80D	3
	# 46647	EPDM	O-ring, adapter, valve, rear – 80D	3
	703244	IPFE	O-ring, adapter, valve, rear – 75D	3
157	48810	SS	Adapter, discharge valve	3
159	26089	NBR	O-ring, adapter, valve, front – 80D	3
	11377	FPM	O-ring, adapter, valve, front – 80D	3
	# 46647	EPDM	O-ring, adapter, valve, front – 80D	3
	703244	IPFE	O-ring, adapter, valve, front – 75D	3
164	44058	SS	Seat	6
165	44001	NBR	O-ring, seat – 80D	6
	44928	FPM	O-ring, seat – 80D	6
	# 46650	EPDM	O-ring, seat – 80D	6
166	44057	SS	Valve	6
167	44056	SS	Spring	6
168	44055	SS	Retainer, spring	6
185	48558	SS	Manifold, discharge	1
186	15847	S	Lockwasher (M10)	6
188	87950	S	Screw, HSH (M10x35)	2
189	87952	S	Screw, HSH (M10x55)	4
260	30612	STZP	Rail, angle assy	1
270	30246	STL	Pulley & key assy (incls. 30032, 30047)(see TB 003)	1
283	34334	-	Kit, oil drain (3/8" x 24")	1
299	816719	SS	Head, complete with NBR seals & O-rings	1
300	33985	NBR	Kit, seal (incls. 98,106,125,143,154,155,159) standard	1
	33309	FPM	Kit, seal (incls. 98,106,125,143,154,155,159)	1
	# 33944	EPDM*	Kit, seal (incls. 98,106,125,143,154,155,159)	1
	76136	HT	Kit, seal (incls. 98,106,125,143,154,155,159)	1
	76167	STHT	Kit, seal (incls. 98,106,125,143,154,155,159)	1
	76985	IPFE	Kit, seal (incls. 97,98,106,125,143,154,155,159)	1
310	30982	NBR	Kit, valve (incls: 143,154,155,159,164,165,166,167,168) standard	1
	31216	FPM	Kit, valve (incls: 143,154,155,159,164,165,166,167,168)	1
	# 31217	EPDM	Kit, valve (incls: 143,154,155,159,164,165,166,167,168)	1
500	8075	-	Gearbox (see individual datasheet)	1

Bold print numbers are unique to a particular pump model. Italics are optional items. # Silicone/grease required.

+ Production parts are different than repair parts. R components comply with RoHs Directive.

{ } Date of latest production change. * Review individual parts in each kit for material code identification.

See 'Tech Bulletins' 003, 024, 036, 043, 053, 060, 061, 064, 073, 074, 078, 083 and 103 for additional information.

Material codes: (not part or part number)

AL	Aluminum	HT	Hi-Temp (EPDM alternative)	SS	316 stainless steel
BBNP	Brass nickel plated	IPFE	I-Perfluoroelastomer	ST2	Special PTFE 2
CC	Ceramic	NBR	Medium nitrile (Buna-N)	STCP	Steel / chrome plated
CM	Chrome-moly	PTFE	Polytetrafluoroethylene	STHT	Special PTFE High temp
EPDM	Ethylene Propylene Diene Mon.	PVDF	Polyvinylidene fluoride	STL	Steel
FCM	Forged chrome-moly	RTP	Reinforced Composite	STZP	Steel / zinc plated
FPM	Fluorocarbon	S	304 stainless steel	TNM	Special high strength
HS	High strength	SNG	Special blend (Buna)		