



## **Technical specifications and instructions**



**60 Frame  
Plunger pump**

**Duplex SS model**

**67102**

**Duplex SS flushed model**

**67102C**

### **Specifications (\*)**

**Model 67102-67102C**

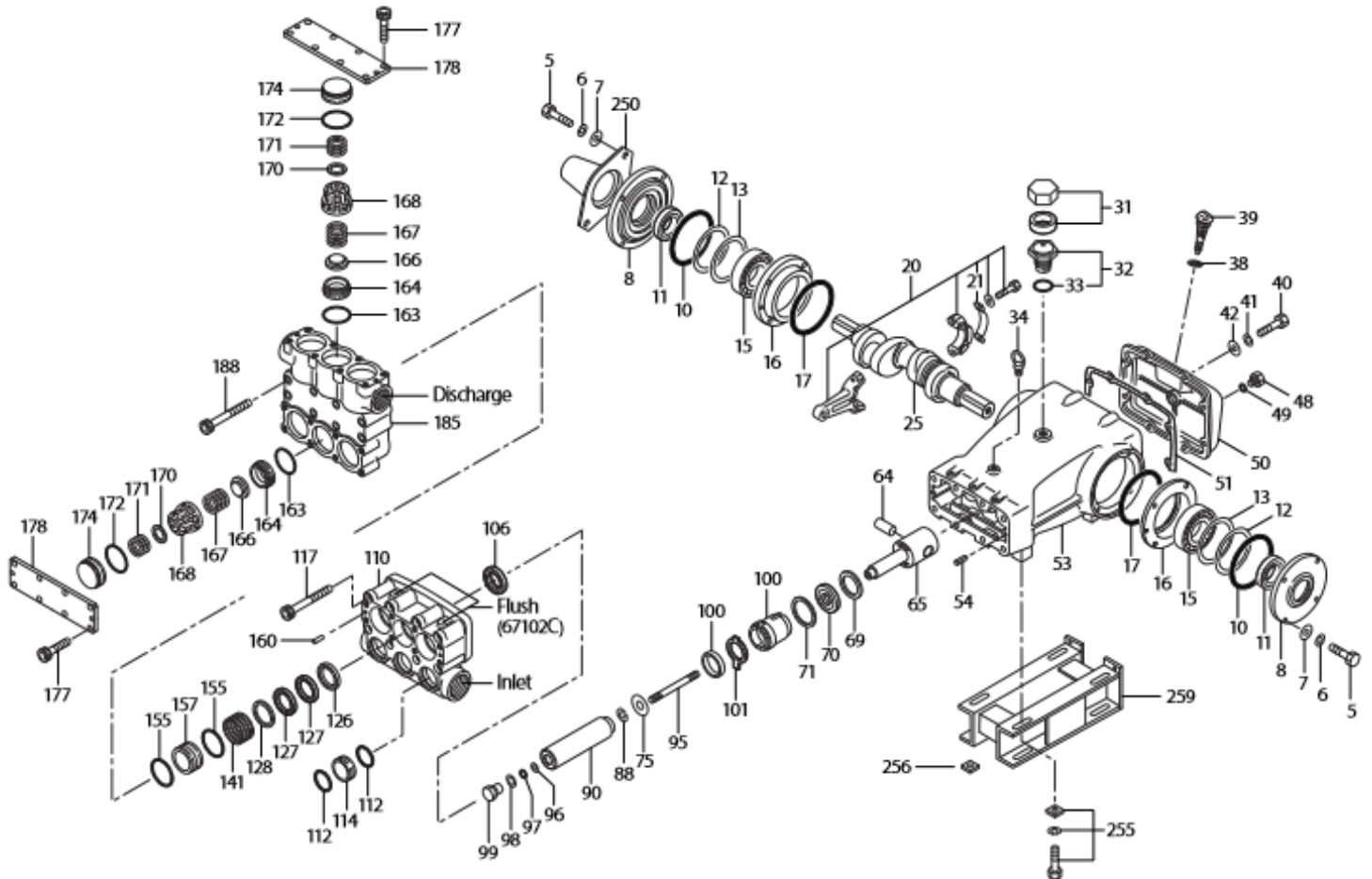
<b>Flow</b>	378 L/min
<b>Pressure range</b>	6,9 to 70 bar
<b>RPM</b>	680 RPM

### **Common specifications**

<b>Inlet pressure range</b>	Flooded to 2 bar
<b>Bore</b>	62 mm
<b>Stroke</b>	65,5 mm
<b>Crankcase capacity</b>	9,46 L
<b>Maximum liquid temperature</b>	60° C
<b>Inlet ports (2)</b>	2-1/2" NPTF
<b>Flushing ports (2)</b>	1/4" NPTF
<b>Discharge ports (2)</b>	2" NPTF
<b>Shaft diameter</b>	45 mm
<b>Weight</b>	165 kg
<b>Dimensions</b>	763 x 619 x 322 mm

(\*) Abnormalities permitted only after consultation and written confirmation from Cat Pumps.

# Exploded View



Models  
Duplex Stainless Steel 67102  
Duplex Stainless Steel Flushed 67102C  
July 2017

# Parts list

It.	Num.	Mat.	Description	Qty
	<b>67102/C</b>			
2	43048	STL	Key (M14x9x90)	1
5	89728	S	Screw, HH (M10x40)	8
6	15847	S	Lockwasher (M10)	8
7	19934	S	Washer, flat (M10)	8
8	29443	AL	Cover, bearing, outer	2
10	29444	NBR	O-ring, bearing case – 70D	2
11	11443	NBR	Seal, oil, crankshaft	2
12	126595	STCP R	Washer, shim (M120 x 0.5)	0-2
13	126594	STCP R	Washer, shim (M120 x 0.3)	0-2
15	29441	STL	Bearing, roller	2
16	29442	STL	Cover, bearing, inner	2
17	29444	NBR	O-ring, bearing case – 70D	2
20	126612	BBHS	Rod, connecting (incl.21)	3
21	126560	STCP R	Washer, locking	3
25	29440	FCM	Crankshaft, dual end (M65.5)	1
31	828710	PE	Protector, oil cap w/Polyurethane Gasket	1
32	43211	ABS	Cap, oil filler	1
33	14177	NBR	O-ring, oil filler cap – 70D	1
34	126743	STCP R	Bolt, eye (M12x1.75) (for lifting pump only)	1
38	129343	RBR	Gasket, flat, oil gauge	1
39	27769	ABS	Stick, dip	1
40	89627	S	Screw, HH (M10x30)	8
41	15847	S	Lockwasher (M10)	8
42	19934	S	Washer, flat (M10)	8
48	25625	STCP	Plug, drain (1/4" x 19 BSP)	1
49	23170	NBR	O-ring, drain plug – 70D	1
50	29438	AL	Cover, rear	1
51	129386	NBR	O-ring, rear cover	1
53	855040	AL	Crankcase assy (incl. 34,54)	1
54	43282	S	Pin, guide	2
64	29481	CM	Pin, crosshead	3
65	133712	BBSS	Rod, plunger	3
69	126588	STCP R	Washer, oil seal	3
70	133716	NBR	Seal, oil – crankcase	3
71	133717	SS	Washer	3
75	133718	SS	Slinger, barrier	3
88	133719	SS	Washer, keyhole	3
90	133721	CC	Plunger (M62x174)	3
95	44748	SS	Stud, plunger retainer (M14x147)	3
96	20214	PTFE	Back-up-ring, plunger retainer	3
97	17616	NBR	O-ring, plunger retainer – 80D	3
98	44751	SS	Gasket, plunger retainer	3
99	44750	SS	Retainer, plunger (M14)	3
100	855039	PVDF	Retainer, seal, 2 pcs	3
101	133723	-	Wick (long tab)	3
106	133725	NBR	Seal, LPS w/SS-spg	3
110	133318	SSD	Manifold, inlet	1
	134436	SSD	Manifold, inlet, flushed (1/4" NPTF)	1
112	12392	NBR	O-ring, spacer, inner – 70D	3
114	133734	SS	Spacer, inlet	3
117	89694	S	Screw, HH (M16x110)	8
126	133728	PTFE	Adapter, female	3
127	133729	STG	V-packing	6
128	133730	SS	Adapter, male	3
141	133731	SS	Spring, large coil	3
155	133733	NBR	O-ring, V-packing spacer - 80D	6
157	133732	SS	Spacer, V-packing	3
160	44756	S	Pin, guide	2
163	133733	NBR	O-ring, seat – 80D	6
164	133736	SS	Seat	6
166	133738	SS	Valve	6

167	133737	SS	Spring	6
168	133739	PVDF	Retainer, spring	6
170	133740	SS	Washer, spring	6
171	133741	SS	Spring, coil	6
172	15858	NBR	O-ring, valve plug – 70D	6
174	133742	SS	Plug, valve	6
177	133744	S	Screw, HSH (M16x30) – Valve plate	16
178	133743	SS	Plate, valve	2
185	133321	SSD	Manifold, discharge	1
188	89959	S	Screw, HSH (M16x120)	8
250	29445	AL	Protector, shaft	1
255	33243	STZP	<i>Mount, bolt assy (included w/pump)</i>	1
256	29649	STCP	<i>Washer, slant (M16) use for adjustment between rail and mounting base</i>	4
259	126787	STZP	<i>Mount, rail assembly (included w/pump)</i>	1
290	6124		<i>Gasket, liquid</i>	1
299	<b>818631</b>	<b>DSS</b>	<i>Head, complete w/NBR seals and O-rings (model 67102)</i>	1
	<b>818646</b>	<b>DSS</b>	<i>Head, complete w/NBR seals and O-rings (model 67102C)</i>	1
300	76294	NBR	<i>Kit, seal (incl. 97,106,112,127,155)</i>	1
310	76296	NBR	<i>Kit, valve preassembled (incl. 163,164,166,167,168,170,172)</i>	2

**Bold print part numbers are unique to a particular pump model. Italics are optional items.** R Components comply with RoHS directive. See 'Tech Bulletins' 003, 024, 036, 043, 053, 074, 083 and 095 for additional information.

Material codes: (not part or part number)

ABS	ABS plastic	FCM	Forged chrome-moly	SS	316 SS
AL	Aluminum	NBR	Medium nitrile (Buna-N)	SSD	Duplex
BBHS	Brass / high strength	PE	Polyethylene	STCP	Steel / chrome plated
BBSS	Brass / Stainless steel	PTFE	Pure polytetrafluoroethylene	STG	Special blend PTFE white
CC	Ceramic	PVDF	Polyvinylidene fluoride	STL	Steel
CM	Chrome-moly	RBR	Rubber	STZP	Steel / zinc plated
DSS	Duplex stainless steel	S	304 SS		