



## Technical specifications and instructions



### **15 Frame Block-Style Stainless Steel Plunger pump**

**Model 1570**

#### Specifications (\*)

##### **Model 1570**

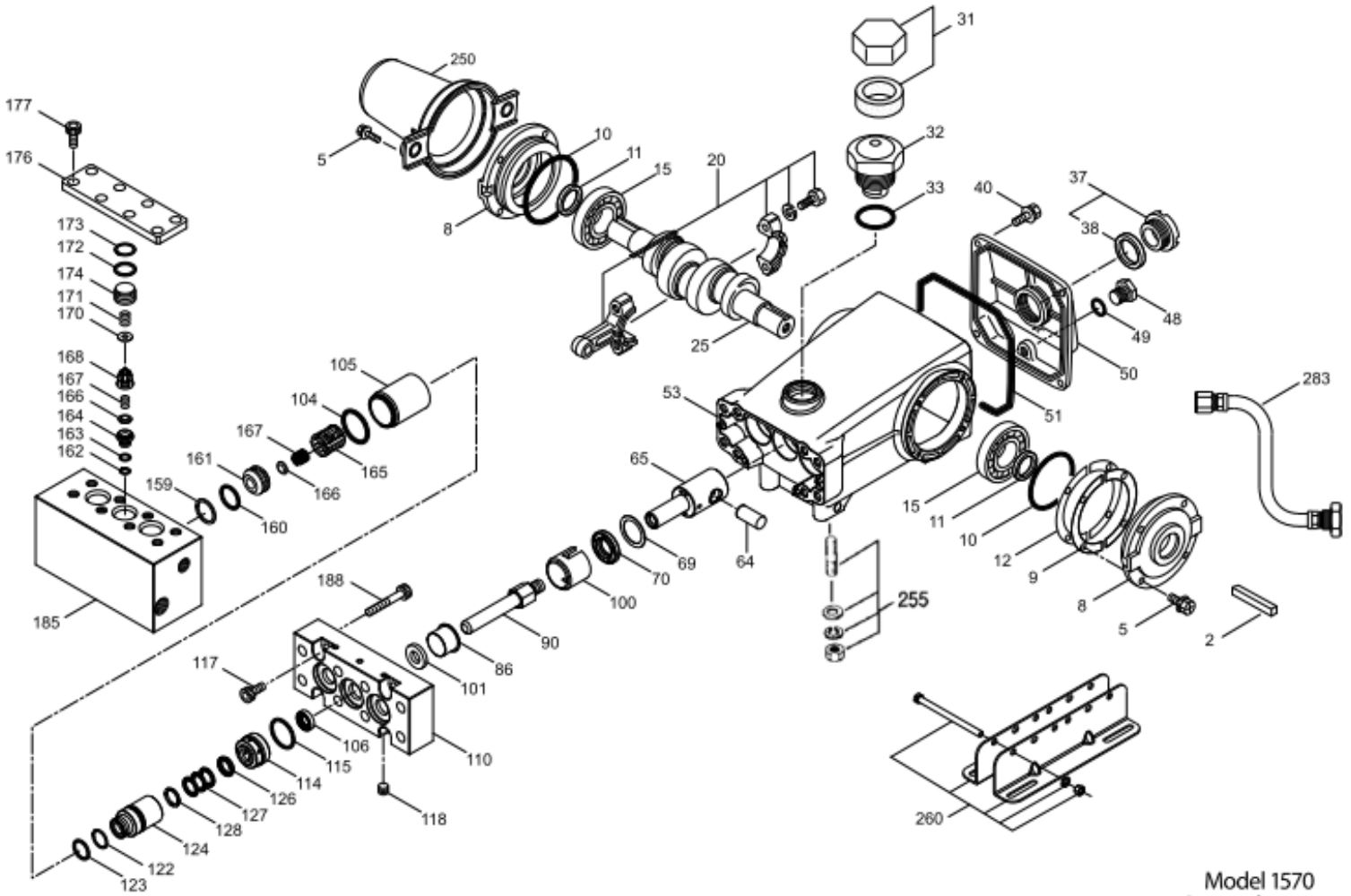
|                       |              |
|-----------------------|--------------|
| <b>Flow</b>           | 22,7 L/min   |
| <b>Pressure range</b> | 7 to 414 bar |
| <b>RPM</b>            | 1350 RPM     |

#### Common specifications

|                                   |                    |
|-----------------------------------|--------------------|
| <b>Inlet pressure range</b>       | flooded to 4,2 bar |
| <b>Bore</b>                       | 16 mm              |
| <b>Stroke</b>                     | 30 mm              |
| <b>Crankcase capacity</b>         | 1,26 L             |
| <b>Maximum liquid temperature</b> | 48° C              |
| <b>Inlet ports (2)</b>            | 1/2" NPTF          |
| <b>Discharge ports (2)</b>        | 1/2" NPTF          |
| <b>Shaft diameter</b>             | 30 mm              |
| <b>Weight</b>                     | 31 kg              |
| <b>Dimensions</b>                 | 457 x 340 x 178 mm |

(\*) Abnormalities permitted only after consultation and written confirmation from Cat Pumps.

# Exploded View



Model 1570  
September 2016

# Parts list

| Item | Num.<br>1570 | Mat.   | Description                             | Qty |
|------|--------------|--------|---|-----|
| 2    | 990036       | STL    | Key (M8x7x40) use with 30059 & 990012   | 1   |
| -    | 30067        | STL    | Key (M8x7,5x25) use with 30059 'H' Hub  | 1   |
| 5    | 125824       | STCP R | Screw, HHC sems (M6x16)                 | 8   |
| 8    | 43496        | AL     | Cover, bearing (see TB 118)             | 2   |
| 9    | 815281       | FBR    | Shim, split, 2 pc                       | 3   |
| 10   | 11340        | NBR    | O-ring, bearing case – 70D              | 2   |
| 11   | 43495        | NBR    | Seal, oil, crankshaft – 70D             | 2   |
| 12   | 814800       | S      | Shim, split, 2-pc                       | 2   |
| 15   | 39060        | STL    | Bearing, roller                         | 2   |
| 20   | 126805       | BZ     | Rod, Connecting Assembly                | 3   |
| 25   | 43494        | FCM    | Crankshaft – dual end (30mm)            | 1   |
| 31   | 828710       | PE     | Protector, oil cap w/foam gasket        | 1   |
| 32   | 43211        | ABS    | Cap, oil filler                         | 1   |
| 33   | 14177        | NBR    | O-ring, filler cap – 70D                | 1   |
| 37   | 92241        | -      | Gauge, oil, bubble w/gasket – 80D       | 1   |
| 38   | 44428        | NBR    | Gasket, flat, oil gauge – 80D           | 1   |
| 40   | 126541       | STCP R | Screw, HHC sems (M6x20)                 | 4   |
| 48   | 25625        | STCP   | Plug, drain (1/4" x 19 BSPM)            | 1   |
| 49   | 23170        | NBR    | O-ring, drain plug – 70D                | 1   |
| 50   | 49276        | AL     | Cover, rear (see TB 118)                | 1   |
| 51   | 44834        | NBR    | O-ring, rear cover – 70D                | 1   |
| 53   | 131770       | AL     | Crankcase (see TB 118)                  | 1   |
| 64   | 43507        | CM     | Pin, crosshead                          | 3   |
| 65   | 131772       | SBZ    | Rod, plunger                            | 3   |
| 69   | 126592       | STCP R | Washer, oil seal                        | 3   |
| 70   | 43500        | NBR    | Seal, oil, crankcase – 80D              | 3   |
| 86   | 131777       | D      | Collar                                  | 3   |
| 90   | 132150       | CC     | Assembly, plunger (M16x83), w/ S-holder | 3   |
| 100  | 125649       | D      | Retainer, seal                          | 3   |
| 101  | 131740       | -      | Wick                                    | 3   |
| 104  | 126148       | NBR    | O-ring, Cylinder – 70D                  | 3   |
|      | 76663        | FPM    | O-ring, cylinder – 70D                  | 3   |
| 105  | 131783       | S      | Cylinder, outer                         | 3   |
| 106  | 48222        | NBR    | Seal, LPS w/S-Spg                       | 3   |
|      | 76089        | ST2    | Seal, LPS w/SS-Spg                      | 3   |
| 110  | 131778       | AL     | Block, housing                          | 1   |
| 114  | 132153       | S      | Case, seal                              | 3   |
| 115  | 13986        | NBR    | O-ring, seal case - 70D                 | 3   |
|      | 76664        | FPM    | O-ring, seal case                       | 3   |
| 117  | 131779       | S      | Screw, HSH (M10x40)                     | 4   |
| 118  | 165769       | S      | Plug (1/8" BSPM)                        | 3   |
| 122  | 49850        | PTFB   | Back-up ring, cylinder                  | 3   |
| 123  | 49382        | NBR    | O-ring, spacer – 90D                    | 3   |
|      | 49897        | FPM    | O-ring, cylinder                        | 3   |
| 124  | 132154       | S630   | Cylinder, V/P                           | 3   |
| 126  | 131744       | PE     | Adapter, female                         | 3   |
| 127  | 43319        | SNG    | V-packing                               | 9   |
|      | 46287        | HT     | V-packing                               | 9   |
| 128  | 43318        | BB     | Adapter, male                           | 3   |
| 159  | 131788       | PTFB   | Back-up ring, inlet seat                | 3   |
| 160  | 142807       | NBR    | O-ring, seat, inlet – 90D               | 3   |
|      | 547743       | FPM    | O-ring, seat, inlet – 90D               | 3   |
| 161  | 131787       | S630   | Seat, inlet                             | 3   |

|     |        |        |   |   |
|-----|--------|--------|---|---|
| 162 | 129638 | PTFE   | Back-up-ring, discharge seat  | 3 |
| 163 | 49104  | NBR    | O-ring, seat, discharge   | 3 |
|     | 76665  | FPM    | O-ring, seat, discharge   | 3 |
| 164 | 131790 | S630   | Seat, discharge   | 3 |
| 165 | 132679 | PVDF   | Retainer, spring, inlet   | 3 |
| 166 | 46562  | S      | Valve   | 6 |
| 167 | 43750  | S      | Spring, valve   | 6 |
| 168 | 44565  | PVDF   | Retainer, spring, discharge   | 3 |
| 170 | 131757 | S      | Washer  | 3 |
| 171 | 44832  | S      | Spring, coil  | 3 |
| 172 | 49382  | NBR    | O-ring, valve plug – 90D  | 3 |
|     | 49897  | FPM    | O-ring, valve plug – 90D  | 3 |
| 173 | 49850  | PTFB   | Back-up-ring, valve plug  | 3 |
| 174 | 131791 | S      | Plug, valve   | 3 |
| 176 | 131792 | AL     | Cover, valve  | 1 |
| 177 | 122599 | S      | Screw, HSH (M12x25)   | 8 |
| 185 | 132156 | S      | Manifold, inlet/discharge   | 1 |
| 188 | 131793 | S      | Screw, HSH (M12x90)   | 8 |
| 250 | 30764  | NY     | Protector, shaft w/two screws   | 1 |
| 255 | 30264  | STZP   | Mount, direct   | 1 |
| 260 | 30613  | STZP R | Mount, rail assy  | 1 |
| 269 | 30206  | F      | Pulley (10") (see TB 003)   | 1 |
| 270 | 30059  | STL    | Hub, "H", M30 (keyway M8) (see TB 003)  | 1 |
| -   | 990012 | STL    | Hub, "B", M30 (Keyway M8) (see TB 003)  | 1 |
| 283 | 34334  | -      | Kit, oil drain (3/8" x 24")   | 1 |
| 299 | 818577 | AL     | Head, complete w/NBR O-rings  | 1 |
| 300 | 76389  | NBR    | Kit, seal (incls: 101,104,106,115,122,123,126,127) <b>stand</b>                     | 1 |
|     | 76670  | FPM    | Kit, seal (incls: 101,104,106,115,122,123,126,127)                                  | 1 |
| 310 | 76390  | S      | Kit, valve (incls: 159,160,161,162,163,164,165,166,167,168,172,173) <b>standard</b> | 1 |
|     | 76679  | S      | Kit, valve (incls: 159,160,161,162,163,164,165,166,167,168,172,173)                 | 1 |

*Italics are optional items.* R components comply with RoHS directive.

See 'Tech Bulletins' 002, 003, 024, 035, 036, 043, 053, 074, 077, 083 and 118 for additional information.

Material codes: (not part or part number)

|     |             |      |                                      |      |                         |
|-----|-------------|------|--------------------------------------|------|-------------------------|
| ABS | Plastic     | FCM  | Forged chrome-moly                   | PVDF | Polyvinylidene Fluoride |
| AL  | Aluminum    | FPM  | Fluorocarbon                         | S    | 304 stainless steel     |
| BB  | Brass       | HT   | High Temp                            | SBZ  | 304SS/Bronze            |
| BZ  | Bronze      | NBR  | Medium nitrile (Buna-N)              | SNG  | Special Blend (Buna)    |
| CC  | Ceramic     | NY   | Nylon                                | ST2  | Special PTFE 2          |
| CM  | Chrome-moly | PE   | Polyethelyne                         | STCP | Steel / chrome plated   |
| D   | Acetal      | POP  | Polypropylene                        | STL  | Steel                   |
| F   | Cast iron   | PTFB | Pure polytetrafluorethylene w/Bronze | STZP | Steel / zinc plated     |
| FBR | Fiber       | PTFE | Pure polytetrafluorethylene          | S630 | 304SS/Hardener          |