



## Technical specifications and instructions



### **3CP Plunger pump**

**Standard models 3CP1120  
3CP1130 – 3CP1140**

**Gearbox model 3CP1120G**

### Specifications (\*)

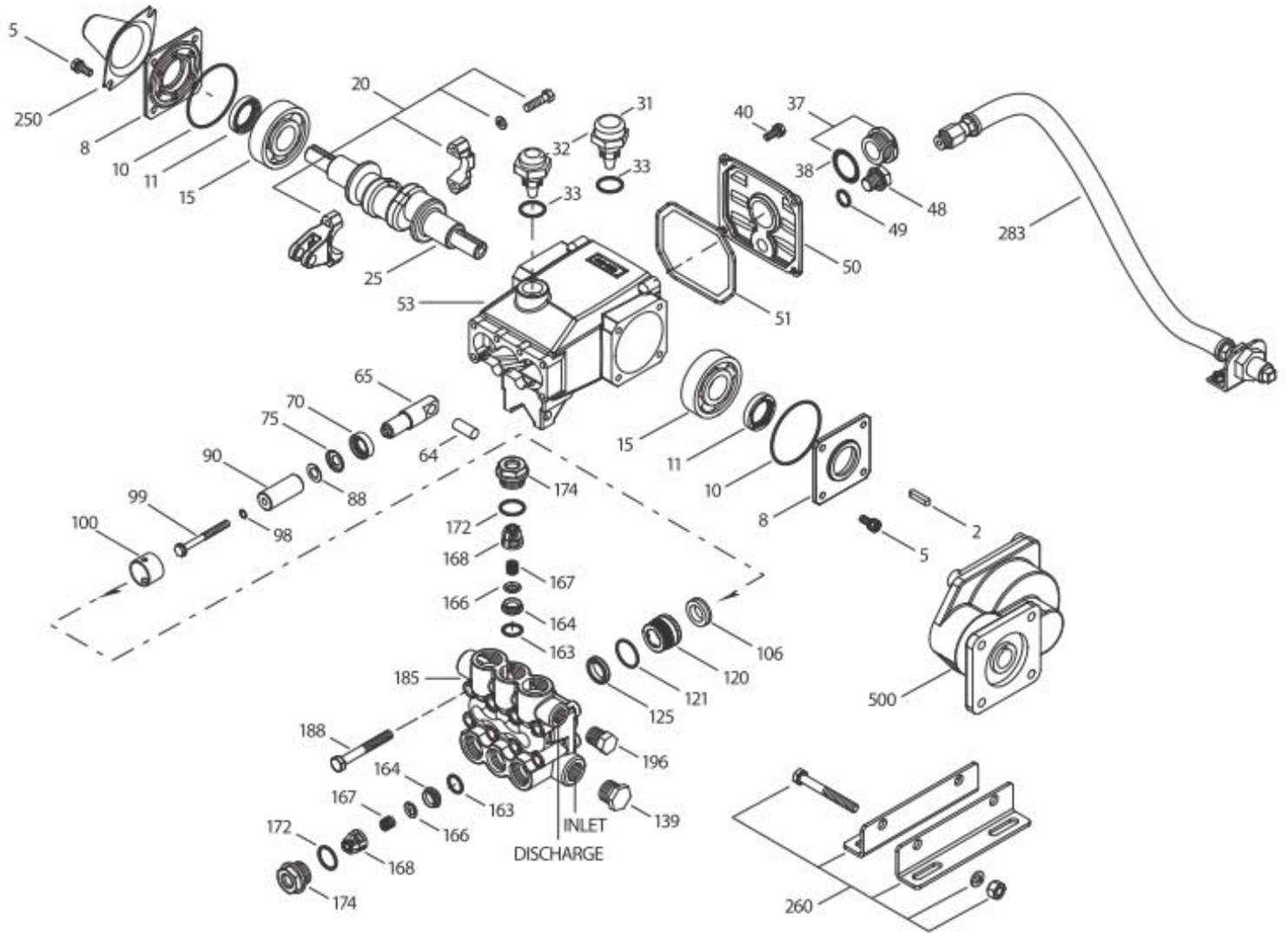
	<b>Model 3CP1120</b>	<b>Model 3CP1120G</b>	<b>Model 3CP1130</b>	<b>Model 3CP1140</b>
<b>Flow</b>	13 l/min	13 l/min	7 l/min	11,5 l/min
<b>Pressure range</b>	7 to 155 bar	7 to 155 bar	7 to 155 bar	7 to 155 bar
<b>RPM pump</b>	1420 RPM	1420 RPM	1420 RPM	1420 RPM
<b>RPM motor</b>	-	3600 RPM	-	-
<b>Stroke</b>	12,7 mm	12,7 mm	7,3 mm	11 mm

### Common specifications

<b>Inlet pressure range</b>	Flooded to 4.8 bar
<b>Bore</b>	18 mm
<b>Crankcase capacity</b>	0,35 L
<b>Maximum liquid temperature</b>	71° C
<b>Inlet ports (2)</b>	1/2" NPTF
<b>Discharge ports (2)</b>	3/8" NPTF
<b>Shaft diameter</b>	16,5 mm
<b>Weight</b>	6,7 kg
<b>Dimensions</b>	231 x 223 x 139 mm

(\*) Abnormalities permitted only after consultation and written confirmation from Cat Pumps.

# Exploded View



MODELS  
3CP1120, 3CP1120G  
3CP1130, 3CP1140

# Parts list

Item	Num.	Mat.	Description	Qty
	<b>3CP1120</b>			
	<b>3CP1130</b>			
	<b>3CP1140</b>			
2	30047	STL	Key (M5x5x24)	1
5	92519	STZP	Screw, HHC sems (M6x16)	8
	125824	STCP R	Screw, HHC sems (M6x16)	8
8	46901	AL	Cover, bearing	2
	<b>48259</b>	<b>AL</b>	Cover, blind – 3CP1120G	1
10	14028	NBR	O-ring, bearing cover – 70D	2
11	43222	NBR	Seal, oil, crankshaft – 70D	1/2
15	14480	STL	Bearing, ball	2
20	48730	TNM	Rod, Connecting assembly {5/01}	3
25	<b>46927</b>	<b>FCM</b>	Crankshaft, dual end – 3CP1120 (M12.7)	1
	<b>46994</b>	<b>FCM</b>	Crankshaft, dual end – 3CP1130 (M7.3)	1
	<b>46991</b>	<b>FCM</b>	Crankshaft, dual end – 3CP1140 (M11)	1
	<b>48484</b>	<b>FCM</b>	Crankshaft, single end – 3CP1140CS (M11)	1
	<b>48257</b>	<b>FCM</b>	Crankshaft, single end – 3CP1120G (M12.7)	1
31	127409	-	Cap, vented w/O-ring (rain cap)	1
32	46798	RTP	Cap, oil filler	1
33	14179	NBR	O-ring, oil filler cap – 70D	1
37	92241	-	Gauge, oil, bubble w/gasket	1
38	44428	NBR	Gasket, flat, oil gauge – 80D	1
40	92519	STZP	Screw, HHC sems (M6x16)	4
	125824	STCP R	Screw, HHC sems (M6x16)	4
48	25625	STCP	Plug, drain (1/4" x 19 BSP)	1
49	23170	NBR	O-ring, drain plug – 70D	1
50	46939	AL	Cover, rear	1
51	14041	NBR	O-ring, rear cover – 70D	1
53	48644	AL	Crankcase	1
64	46615	CM	Pin, crosshead	3
65	48459	BBNP	Rod, plunger	3
70	46839	NBR	Seal, oil, crankcase	3
75	43900	S	Slinger, barrier	3
88	45697	S	Washer, keyhole (M18x10)	3
90	46976	CC	Plunger (M18x43)	3
98	46730	NBR	Washer, seal – 90D	3
	48394	FPM	Washer, seal – 90D	3
	# 48432	EPDM	Washer, seal	3
99	+ 48201	SS	Retainer, plunger w/stud (M6)	3
100	46541	PVDF	Retainer, seal	3
106	43243	NBR	Seal, LPS w/S-Spg	3
	44926	FPM	Seal, LPS w/SS-Spg	3
	# 46651	EPDM	Seal, LPS w/SS-spg	3
	76243	ST2	Seal, LPS w/S-Spg	3
120	46625	BB	Case, seal (see TB #110)	3
121	13976	NBR	O-ring, seal case – 70D	3
	48522	FPM	O-ring, seal case	3
	# 48905	EPDM	O-ring, seal case	3
125	43245	SNG	Seal, HPS w/S	3
	44925	FPM	Seal, HPS w/SS	3
	46652	HT	Seal, HPS 'Hi-Temp', 2-pc w/S-Support	3
139	43448	BB	Plug, inlet (1/2"NPT(F))	1
163	17547	NBR	O-ring, seat – 85D	6
	11685	FPM	O-ring, seat – 85D	6

	# 46648	EPDM	O-ring, seat	6
164	45790	S	Seat	6
166	43723	S	Valve	6
167	43750	S	Spring	6
168	44565	PVDF	Retainer, spring	6
172	17615	NBR	O-ring, valve plug – 75D	6
	15855	FPM	O-ring, valve plug – 70D	6
	# 48431	EPDM	O-ring, valve plug – 75D	6
174	46756	BB	Plug, valve	6
185	46616	FBB	Manifold, head	1
188	126512	STCP R	Screw, HSH (M8x65)	8
196	22187	BBCP	Plug, discharge (3/8"NPT(M))	1
250	118672	STCP	Protector, shaft	1
260	30612	STZP	Mount, rail assy	1
265	30641	-	Mount, assy (incls. 30612, 30032, 30047, 118672)	1
270	30246	STL	Assy, pulley & key (incls. 30032, 30047)(see TB 003)	1
283	34334	-	Kit, oil drain (3/8"x24") (see individual data sheet)	1
	76334	-	Kit, oil indicator (3/8"x24") (see individual data sheet)	1
299	814841	FBB	Head, complete	1
300	33983	NBR	Kit, seal (incls. 98, 106, 121, 125) <b>standard</b>	1
	33257	FPM	Kit, seal (incls. 98, 106, 121, 125)	1
	# 76924	EPDM	Kit, seal (incls. 98, 106, 121, 125)	1
	31983	HT	Kit, seal (incls. 98, 106, 121, 125)	1
	76526	STHT	Kit, seal (incls. 98, 106, 120, 121, 125) prior to 4/10	1
	76983	STHT	Kit, seal (incls. 98, 106, 121, 125) after 4/10	1
310	33062	NBR	Kit, valve (incls: 163, 164, 166, 167, 168, 172) <b>standard</b>	2
	33258	FPM	Kit, valve (incls: 163, 164, 166, 167, 168, 172)	2
	# 76882	EPDM	Kit, valve (incls: 163, 164, 166, 167, 168, 172)	2
350	30696	STZP	Plier, reverse	1
500	8075	-	Gearbox (see individual data sheet)	1

**Bold print numbers are unique to a particular pump model. Italics are optional items. #** Silicone/grease required.

{ } Date of latest production change. R Components comply with RoHS directive.

+ Production parts are different than service parts.

See 'Tech Bulletins' 002, 003, 024, 036, 064, 073, 074, 077, 083 and 110 for additional information.

For motorized versions see BD motor data sheet. For Gearbox version see 8075 data sheet.

Material codes: (not part or part number)

AL	Aluminum	FCM	Forged chrome-moly	ST2	Special PTFE2
BB	Brass	FPM	Fluorocarbon	STCP	Steel / chrome plated
BBCP	Brass / chrome plated	HT	Hi-Temp (EPDM alternative)	STHT	Special PTFE high temp
BBNP	Brass nickel plated	NBR	Medium nitrile (Buna-N)	STL	Steel
CC	Ceramic	PVDF	Polyvinylidene fluoride	STZP	Steel / zinc plated
CM	Chrome-moly	RTP	Reinforced composite	TNM	Special high strength
EPDM	Ethylene Prop. Diene Monomer	S	304SS		
FBB	Forged brass	SNG	Special blend (Buna)		