



## Technical specifications and instructions



### **5CP Stainless steel Plunger pump**

#### **Models**

**5CP6221**

**5CP6241CS**

**5CP6251**

#### Specifications (\*)

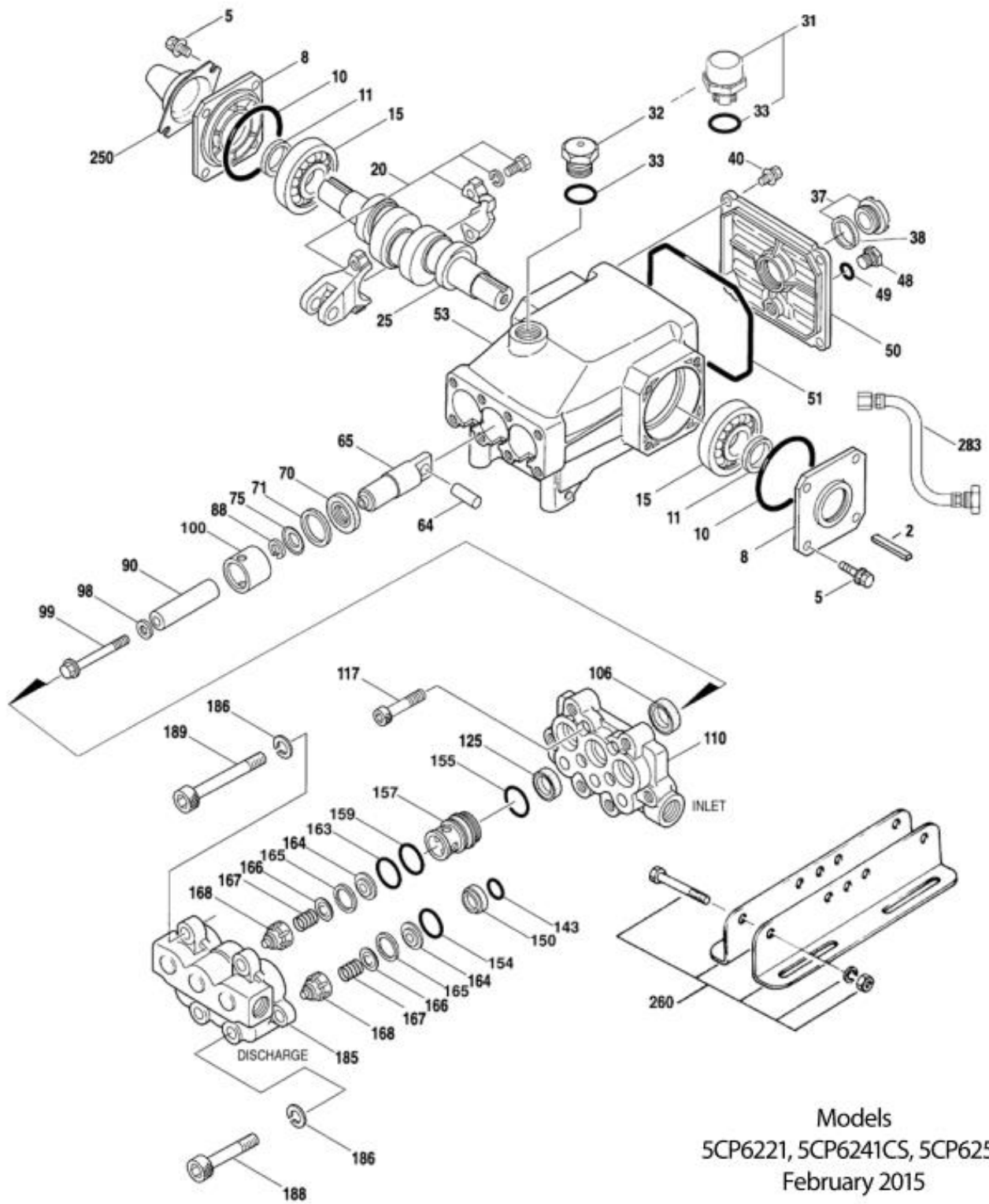
	<b>Model 5CP6221</b>	<b>Model 5CP6241CS</b>	<b>Model 5CP6251</b>
<b>Flow</b>	23 l/min	13 l/min	15 l/min
<b>Pressure range</b>	7 to 140 bar	7 to 110 bar	7 to 110 bar
<b>Inlet pressure range</b>	-3,5 to 4 bar	Flooded to 4 bar	Flooded to 4 bar
<b>RPM</b>	1420 RPM	1420 RPM	1420 RPM
<b>Stroke</b>	18 mm	10 mm	12 mm

#### Common specifications

<b>Bore</b>	20 mm
<b>Crankcase capacity</b>	0,53 L
<b>Maximum liquid temperature</b>	71° C
<b>Inlet ports (2)</b>	1/2" NPTF
<b>Discharge ports (2)</b>	3/8" NPTF
<b>Shaft diameter</b>	20 mm
<b>Weight</b>	8 kg
<b>Dimensions</b>	291,3 x 254 x 146 mm

(\*) Abnormalities permitted only after consultation and written confirmation from Cat Pumps.

# Exploded View



Models  
5CP6221, 5CP6241CS, 5CP6251  
February 2015

# Parts list

lt.	Num. 5CP6221	Mat.	Num. 5CP6141CS	Mat.	Num. 5CP6251	Mat.	Description	Qt
2	30057	STL	30057	STL	30057	STL	Key (M6x6x25)	1
5	119049	SS	119049	SS	119049	SS	Screw, HHC sems (M8x16)	8
8	46910	AL	46910	AL	46910	AL	Cover, bearing	2/1
10	14028	NBR	14028	NBR	14028	NBR	O-ring, bearing cover – 70D	2/1
11	43222	NBR	43222	NBR	43222	NBR	Seal, oil, crankshaft – 70D	2
15	14480	STL	14480	STL	14480	STL	Bearing, ball	2
20	48742	TNM	48742	TNM	48742	TNM	Rod assy, connecting {10/01}	3
25	<b>46928</b>	<b>FCM</b>	-	-	<b>46982</b>	<b>FCM</b>	Crankshaft, dual end	1
	-	-	<b>48203</b>	<b>FCM</b>	-	-	Crankshaft, single end	1
30	-	-	<b>48224</b>	<b>AL</b>	-	-	Cover, blind bearing	1
31	127409	-	127409	-	127409	-	Cap, vented w/O-ring (rain cap)	1
32	46798	-	46798	-	46798	-	Cap, oil filler	1
33	14179	NBR	14179	NBR	14179	NBR	O-ring, oil filler cap – 70D	1
37	92241	-	92241	-	92241	-	Gauge, oil, bubble w/gasket – 80D	1
38	44428	NBR	44428	NBR	44428	NBR	Gasket, flat, oil gauge – 80D	1
40	92538	S	92538	S	92538	S	Screw, HHC sems (M6x16)	4
48	25625	STCP	25625	STCP	25625	STCP	Plug, drain (1/4"x19BSP)	1
49	23170	NBR	23170	NBR	23170	NBR	O-ring, drain plug – 70D	1
50	46940	AL	46940	AL	46940	AL	Cover, rear	1
51	14044	NBR	14044	NBR	14044	NBR	O-ring, rear cover	1
53	48617	AL	48617	AL	48617	AL	Crankcase	1
64	46746	CM	46746	CM	46746	CM	Pin, crosshead	3
65	48458	BBNP	48458	BBNP	48458	BBNP	Rod, plunger	3
70	46838	NBR	46838	NBR	46838	NBR	Seal, oil, crankcase – 70D	3
71	48208	PVDF	48208	PVDF	48208	PVDF	Washer, oil seal	3
75	43328	S	43328	S	43328	S	Slinger, barrier	3
88	45697	S	45697	S	45697	S	Washer, keyhole (M18)	3
90	46841	CC	46841	CC	46841	CC	Plunger (M20x50)	3
98	46730	NBR	46730	NBR	46730	NBR	Washer, seal – 90D	3
	48394	FPM	48394	FPM	48394	FPM	Washer, seal – 90D	3
	# 48432	EPDM	# 48432	EPDM	# 48432	EPDM	Washer, seal	3
99	+ 48201	SSL	+ 48201	SSL	48201	SSL	Retainer, plunger (M6x30)	3
100	46749	PVDF	46749	PVDF	46749	PVDF	Retainer, seal	3
106	44127	NBR	44127	NBR	44127	NBR	Seal, LPS w/SS-Spg	3
	45153	FPM	45153	FPM	45153	FPM	Seal, LPS w/SS-Spg	3
	# 48429	EPDM	# 48429	EPDM	# 48429	EPDM	Seal, LPS w/SS-Spg, 2pc w/S support	3
110	48552	SS	48552	SS	48552	SS	Manifold, inlet	1
117	119034	S	119034	S	119034	S	Screw, HSH (M8x35)	4
125	44649	SNG	44649	SNG	44649	SNG	Seal, HPS w/SS	3
	44936	FPM	44936	FPM	44926	FPM	Seal, HPS w/SS	3
	46667	HT	46667	HT	46667	HT	Seal, HPS w/S	3
143	17615	NBR	17615	NBR	17615	NBR	O-ring, I.V. adapter, rear – 75D	3
	15855	FPM	15855	FPM	15855	FPM	O-ring, I.V. adapter, rear – 70D	3
	# 48431	EPDM	# 48431	EPDM	# 48431	EPDM	O-ring, I.V. adapter, rear – 75D	3
150	48212	SS	48212	SS	48212	SS	Adapter, inlet	3
154	43781	NBR	43781	NBR	43781	NBR	O-ring, I.V. adapter, front – 75D	3
	11337	FPM	11337	FPM	11337	FPM	O-ring, I.V. adapter, front – 75D	3
	# 48430	EPDM	# 48430	EPDM	# 48430	EPDM	O-ring, I.V. adapter, front – 75D	3
155	43781	NBR	43781	NBR	43781	NBR	O-ring, D.V. adapter, rear – 75D	3
	11337	FPM	11337	FPM	11337	FPM	O-ring, D.V. adapter, rear – 75D	3
	# 48430	EPDM	# 48430	EPDM	# 48430	EPDM	O-ring, D.V. adapter, rear – 75D	3
157	48211	SS	48211	SS	48211	SS	Adapter, discharge	3
159	43781	NBR	43781	NBR	43781	NBR	O-ring, D.V. adapter, front – 75D	3

	11337	FPM	11337	FPM	11337	FPM	O-ring, D.V. adapter, front – 75D	3
	# 48430	EPDM	# 48430	EPDM	# 48430	EPDM	O-ring, D.V. adapter, front – 75D	3
163	43781	NBR	43781	NBR	43781	NBR	O-ring, seat – 75D	3
	11337	FPM	11337	FPM	11337	FPM	O-ring, seat – 75D	3
	# 48430	EPDM	# 48430	EPDM	# 48430	EPDM	O-ring, seat – 75D	3
164	48216	SS	48216	SS	48216	SS	Seat	6
165	43793	NBR	43793	NBR	43793	NBR	O-ring, seat – 90D	6
	43791	FPM	43791	FPM	43791	FPM	O-ring, seat – 90D	6
	# 48490	EPDM	# 48490	EPDM	# 48490	EPDM	O-ring, seat – 90D	6
166	44038	SS	44038	SS	44038	SS	Valve	6
167	44039	SS	44039	SS	44039	SS	Spring	6
168	44564	PVDF	44564	PVDF	44564	PVDF	Retainer, spring	6
185	48554	SS	48554	SS	48554	SS	Manifold, discharge	1
186	19085	S	19085	S	19085	S	Lockwasher, split (M12)	6
188	120774	S	120774	S	120774	S	Screw, HSH (M12x40)	2
189	89575	S	89575	S	89575	S	Screw, HSH (M12x60)	4
250	118672	STCP	118672	STCP	118672	STCP	Protector, shaft	1
260	<b>30611</b>	<b>STZP</b>	-	-	-	-	Mount, rail assy	1
283	34334	-	34334	-	34334	-	Kit, oil drain	1
299	816720	SS	816720	SS	816720	SS	Head, complete	1
300	34353	NBR	34353	NBR	34353	NBR	Kit, seal (incls: 98,106,125,143,154,155,159) <b>standard</b>	1
	34351	FPM	34351	FPM	34351	FPM	Kit, seal (incls: 98,106,125,143,154,155,159)	1
	# 34352	EPDM	# 34352	EPDM	# 34352	EPDM	Kit, seal (incls: 98,106,125,143,154,155,159)	1
310	33972	NBR	33972	NBR	33972	NBR	Kit, valve (incls: 143,154,163,164,165,166,167,168) <b>stand.</b>	1
	34362	FPM	34362	FPM	34362	FPM	Kit, valve (incls: 143,154,163,164,165,166,167,168)	1
	# 34363	EPDM	# 34363	EPDM	# 34363	EPDM	Kit, valve (incls: 143,154,163,164,165,166,167,168)	1

**Bold print numbers are unique to a particular pump model. Italics are optional items. { }** Date of latest production change.

# Silicone oil/grease required. + Production parts are different than repair parts.

See 'Tech Bulletins' 002, 003, 024, 036, 043, 053, 056, 074, 083, 088 and 095 for additional information.

Material codes: (not part or part number)

AL	Aluminum	FPM	Fluorocarbon	SS	316 stainless steel
BBNP	Brass nickel plated	HT	Hi-Temp (EPDM alternative)	STCP	Steel / chrome plated
CC	Ceramic	NBR	Medium nitrile (Buna-N)	STL	Steel
CM	Chrome-moly	PVDF	Polyvinylidene fluoride	STZP	Steel / zinc plated
EPDM	Ethylene propylene diene mon.	S	304 stainless steel	TNM	Special high strength
FCM	Forged chrome-moly	SNG	Special blend (Buna)		