



Technical specifications and instructions



68 Frame Block-Style Stainless Steel Plunger pump

Standard models

6801, 6811

Flushed models

6801K, 6811K

Specifications (*)

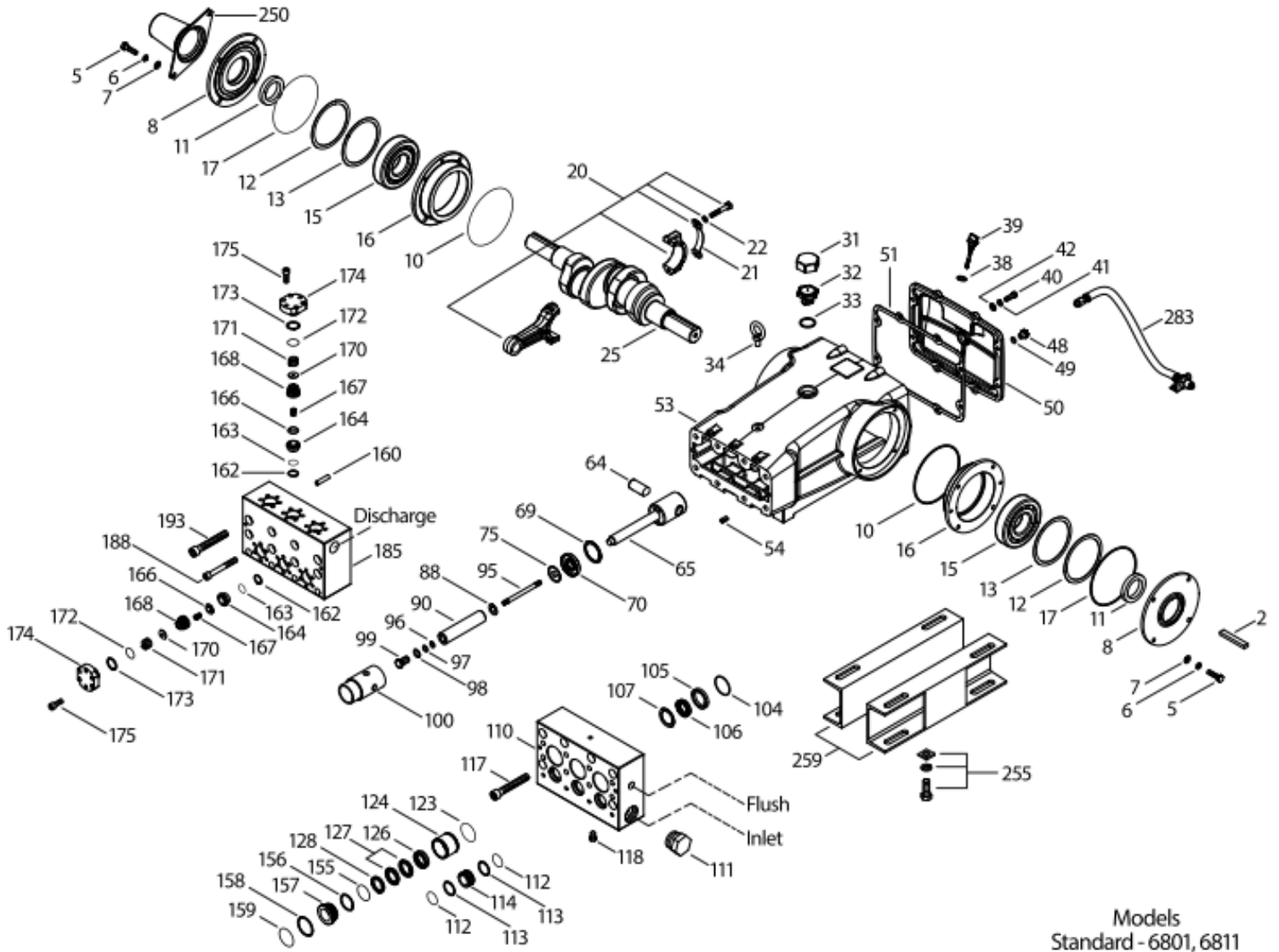
	Model 6801-6801K	Model 6811-6811K
Flow	57 l/min	57 l/min
Pressure range	7 to 485 bar	7 to 345 bar
RPM	600 RPM	600 RPM

Common specifications

Inlet pressure range	Flooded to 3,5 bar
Bore	25 mm
Stroke	65,5 mm
Crankcase capacity	9,46 L
Maximum liquid temperature	60° C
Inlet ports (2)	1-1/2" NPTF
Flushing ports (2)	1/2" NPTF
Discharge ports (2)	1" NPTF
Shaft diameter	45 mm
Weight	161 kg
Dimensions	754 x 609 x 304 mm

(*) Abnormalities permitted only after consultation and written confirmation from Cat Pumps.

Exploded View



Models
Standard - 6801, 6811
Flushed - 6801K, 6811K
September 2016

Parts list

Item	Num. 6801 6801K	Mat.	Num. 6811 6811K	Mat.	Description	Qty
2	43048	STL	43048	STL	Key (M14x9x90)	1
5	89728	S	89728	S	Screw, HH (M10x40)	8
6	15847	S	15847	S	Lockwasher (M10)	8
7	19934	S	19934	S	Washer, flat (M10)	8
8	29443	AL	29443	AL	Cover, bearing – outer (see TB 118)	2
10	29444	NBR	29444	NBR	O-ring, bearing cover – 70D	2
11	11443	NBR	11443	NBR	Seal, oil, crankshaft – 70D	2
12	126594	STCP R	126594	STCP R	Washer, shim (M120x0,3)	0-2
13	126595	STCP R	126595	STCP R	Washer, shim (M120x0,5)	0-2
15	29441	STL	29441	STL	Bearing, roller	2
16	29442	STL	29442	STL	Cover, bearing – inner	2
17	29444	NBR	29444	NBR	O-ring, bearing cover – 70D	2
20	126612	BBHS	126612	BBHS	Assembly, connecting rod (incls 21,22)	3
21	126560	STCP R	126560	STCP R	Washer, locking	3
22	126593	STCP R	126593	STCP R	Washer, shim (M10,5x1,5)	6
25	29440	FCM	29440	FCM	Crankshaft, dual shaft	1
31	828710	PE	828710	PE	Protector, oil cap w/foam gasket	1
32	43211	ABS	43211	ABS	Cap, oil filler	1
33	14177	NBR	14177	NBR	O-ring, filler cap – 70D	1
34	126743	STCP R	126743	STCP R	Bolt, eye (M12) (for lifting pump only)	1
38	11338	NBR	11338	NBR	O-ring, dipstick – 70D	1
39	27769	ABS	27769	ABS	Stick, dip	1
40	89627	S	89627	S	Screw, HH (M10x30)	8
41	15847	S	15847	S	Lockwasher (M10)	8
42	19934	S	19934	S	Washer, flat (M10)	8
48	25625	STCP	25625	STCP	Plug, drain (1/4" x 19 BSP)	1
49	23170	NBR	23170	NBR	O-ring, drain plug – 70D	1
50	29438	AL	29438	AL	Cover, rear (see TB 118)	1
51	129386	NBR	129386	NBR	Gasket, rear cover	1
53	45303	AL	45303	AL	Crankcase (incl 34,54) (see TB 118)	1
54	43282	S	43282	S	Pin, guide	2
64	29481	CM	29481	CM	Pin, crosshead	3
65	48735	SSZZ	48735	SSZZ	Rod, plunger	3
69	126588	STCP R	126588	STCP R	Washer, oil seal	3
70	29454	NBR	29454	NBR	Seal, oil, crankcase – 80D	3
75	43865	S	43865	S	Slinger, barrier	3
88	45676	S	45676	S	Washer, keyhole (M16)	3
90	43866	CC	43866	CC	Plunger (M12x145)	3
95	89778	SS	89778	SS	Stud, plunger retainer (M10x135)	3
96	20189	PTFE	20189	PTFE	Back-up-ring, plunger retainer	3
97	11345	NBR	11345	NBR	O-ring, plunger retainer – 70D	3
98	44085	SS	44085	SS	Gasket, plunger retainer	3
99	44084	SS	44084	SS	Retainer, plunger (M10)	3
100	703084	D	703084	D	Retainer, seal	3
104	43875	NBR	43875	NBR	O-ring, adapter, inlet – 70D	3
105	701323	SS	701323	SS	Adapter, inlet, LPS	3
106	44086	NBR	44086	NBR	Seal, LPS w/SS-Spg	3
107	44089	SS	44089	SS	Washer, LPS	3
110	701321	SS	701321	SS	Manifold, inlet, block-style (6801-6811)	1
	701322	SS	701322	SS	Manifold, inlet, block-style, flushed (6801K-6811K)	1
111	701116	SS	701116	SS	Plug, inlet manifold (1-1/2" NPTM)	1
112	701632	NBR	701632	NBR	O-ring, spacer	6
113	701329	PTFE	701329	PTFE	Back-up-ring, spacer	6
114	701327	SS	701327	SS	Spacer, inlet	3
117	89694	S	89694	S	Screw HSH (M16x110)	8
118	701077	SS	701077	SS	Plug (1/4" NPTM) (6801K-6811K)	3
123	12391	NBR	12391	NBR	O-ring, V-packing cylinder – 70D	3
124	701324	SS	701324	SS	Cylinder, V-packing	3
126	701325	SS	701325	SS	Adapter, female	3
127	44610	STG	44610	STG	V-packing	6
128	701326	SS	701326	SS	Adapter, male	3
155	11379	NBR	11379	NBR	O-ring, V-packing spacer, inner – 70D	3
156	28243	PTFE	28243	PTFE	Back-up-ring, spacer, inner	3
157	701294	SS	701294	SS	Spacer, V-packing	3
158	28243	PTFE	28243	PTFE	Back-up-ring, spacer, outer	3
159	11379	NBR	11379	NBR	O-ring, V-packing spacer, outer – 70D	3
160	44756	S	44756	S	Pin, guide IMDM	2
162	21985	PTFE	21985	PTFE	Back-up-ring, seat	12/6

163	26089	NBR	26089	NBR	O-ring, seat – 80D	12/6
164	44080	SS	44080	SS	Seat	6
166	44081	SS	44081	SS	Valve	6
167	44082	SS	44082	SS	Spring	6
168	44735	PVDF	44735	PVDF	Retainer, spring	6
170	44794	SS	44794	SS	Washer, retainer	6
171	44793	SS	44793	SS	Spring, coil	6
172	15853	NBR	15853	NBR	O-ring, valve plug – 70D	6
173	20224	PTFE	20224	PTFE	Back-up-ring, valve plug	6
174	701260	SS	701260	SS	Plug, valve	6
175	87951	S	87951	S	Screw, HSH (M10x30)	36
185	703206	SSD	701320	SS	Manifold, discharge, block-style	1
188	701279	S	701279	S	Screw, HSH (M12x100), lower	4
193	89694	S	89694	S	Screw, HSH (M16x110), upper	8
250	29445	AL	29445	AL	Protector, shaft (included w/pump) (see TB 118)	1
255	33243	STZP	33243	STZP	Kit, mount (included w/pump)	2
259	126604	STCP R	126604	STCP R	Rail, box (included w/pump)	2
275	990014	STL	990014	STL	Hub, "B" M45 w/keyway) (see TB 003)	1
283	34314	-	34314	-	Kit, oil drain	1
299	910008	SS	910000	SS	Head, complete, block-style w/NBR seals & O-rings (6801-6811)	1
	910009	SS	910005	SS	Head, complete, block-style, flushed w/NBR seals & O-rings (6801K-6811K)	1
-	819010	F	819010	F	Assembly, crankcase, cast iron conversion	1
370	990663	-	990663	-	Assembly, flushing, 19L, 115V, 1.1 Amp, 1/2"NPT (6801K-6811K)	1

Bold print part numbers are unique to a particular pump model. Italics are optional items. R Components comply with RoHS directive. See 'Tech Bulletins' 003, 024, 036, 074, 083, 084, 095, 105 and 118 for additional information.

Material codes: (not part or part number)

ABS	ABS plastic	FCM	Forged chrome-moly	SSZZ	316SS / zamak
AL	Aluminum	NBR	Medium nitrile (Buna-N)	STCP	Steel/chrome plated
BBHS	Brass / high strength	PE	Polyethylene	STG	Special blend PTFE white
CC	Ceramic	PTFE	Pure polytetrafluoroethylene	STL	Steel
CM	Chrome-moly	PVDF	Polyvinylidene fluoride	STZP	Steel / zinc plated
D	Acetal	S	304 stainless steel		
F	Cast Iron	SS	316 stainless steel		

SEAL KITS

Pump models	NBR (STD)	FPM (0.0110)	EPDM (0.0220) #	IPFE (0.0770)		
6801,6801K,6811,6811K	701648*	33710*	702353*	76788*		
Item (included in kits)	Partnumber	Partnumber	Partnumber	Partnumber	Description	QTY
97	11345	11375	701490	702961	O-ring, plunger retainer	3
104	43875	44826	701656	702977	O-ring, inlet adapter	3
106	44086	45846	49196	701944	Seal, LPS, w/SS-spg	3
112	701632	701328	701973	703291	O-ring, inlet spacer	6
113	701329	701329	701329	701329	Backup-ring, spacer	6
123	12391	13266	701657	703481	O-ring, V-packing cylinder	3
127	44610	44610	44610	703050	V-packing	6
155	11379	14183	701491	702705	O-ring, V-packing spacer, inn.	3
156	28243	28243	28243	28243	Backup-ring, spacer, inner	3
158	28243	28243	28243	28243	Backup-ring, spacer outer	3
159	11379	14183	701491	702705	O-ring, V-packing spacer, out.	3

Note; 1 seal kit required per pump. * Review material codes for individual items. # Silicone oil/grease required.

VALVE KITS

Pump models	NBR (STD)	FPM (0.0110)	EPDM (0.0220) #	IPFE (0.0770)		
6801,6801K,6811,6811K	34151	701798	701799	76171		
Item (included in kits)	Partnumber	Partnumber	Partnumber	Partnumber	Description	QTY
162	21985	21985	21985	21985	Backup-ring, seat	3
163	26089	11377	46647	703244	O-ring, seat	3
164	44080	44080	44080	44080	Seat	3
166	44081	44081	44081	44081	Valve	3
167	44082	44082	44082	44082	Spring	3
168	44735	44735	44735	44735	Retainer, spring	3
170	44794	44794	44794	44794	Washer, retainer	3
172	15853	11720	701481	702974	O-ring, valve plug	3
173	20224	20224	20224	20224	Backup-ring, valve plug	3

Note; 2 valve kits required per pump. # Silicone oil/grease required.